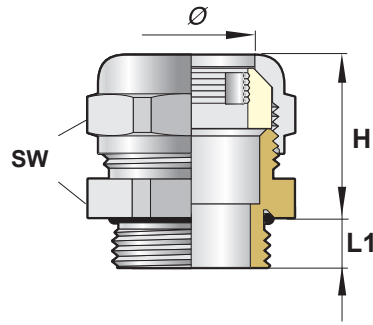


RCCN 日成SVD型锁铠装金属电缆接头 SVD Hose Steel Braid Cable Gland



螺纹标准及开孔数据 参考A26页

Hose gland made of brass to install plain tubes, high strain relief due to clamping ring made of brass and counter pressure socket made of brass

型号 Item No.				螺纹长度 Thread Length L1	夹紧爪 hose clamps Ø	配套螺母 上限板厚 +Nut Max platethick	接合长度 Joint Length H	板手 Spanner SW A/F	包装 Std.Pkg. pcs
公制螺纹 M	德制螺纹 PG	美制螺纹 NPT	英制螺纹 G						
SVD-M12×1.5-12	SVD-PG7-12	SVD-NPT1/4-12	SVD-G1/4-12	6	10-12	≤2.5	20	18/18	100PCS
SVD-M16×1.5-15	SVD-PG9-15	SVD-NPT3/8-15	SVD-G3/8-15	7	13-15	≤3.5	21	20/20	
SVD-M16×1.5-17	SVD-PG9-17	SVD-NPT3/8-17	SVD-G3/8-17	7	14-17	≤3.5	21	22/22	
SVD-M18×1.5-15	SVD-PG11-15			7	13-15	≤3.5	21	20/20	
SVD-M18×1.5-17	SVD-PG11-17			7	14-17	≤3.5	21	22/22	
SVD-M18×1.5-18	SVD-PG11-18			7	15-18	≤3.5	21	24/24	
SVD-M20×1.5-17	SVD-PG13.5-17	SVD-NPT1/2-17	SVD-G1/2-17	8	14-17	≤4.5	21	22/22	50PCS
SVD-M20×1.5-18	SVD-PG13.5-18	SVD-NPT1/2-18	SVD-G1/2-18	8	15-18	≤4.5	21	24/24	
SVD-M20×1.5-22	SVD-PG13.5-22	SVD-NPT1/2-22	SVD-G1/2-22	8	18-22	≤4.5	23	28/28	
SVD-M20×1.5-23	SVD-PG13.5-23	SVD-NPT1/2-23	SVD-G1/2-23	8	19-23	≤4.5	23	30/30	
SVD-M22×1.5-23	SVD-PG16-23			8	19-23	≤4.5	24	30/30	10PCS
SVD-M25×1.5-23	SVD-PG21-23	SVD-NPT3/4-23	SVD-G3/4-23	9	19-23	≤4.5	24	30/30	
SVD-M32×1.5-29	SVD-PG21-29	SVD-NPT1-29	SVD-G1-29	11	24-29	≤5.5	26	36/36	
SVD-M36×2.0-32	SVD-PG21-32			11	28-32	≤5.5	26	40/40	
SVD-M40×1.5-36	SVD-PG29-36	SVD-NPT1-1/4-36	SVD-G1-1/4-36	11	31-36	≤5.5	26	44/44	
SVD-M40×1.5-40	SVD-PG29-40	SVD-NPT1-1/4-40	SVD-G1-1/4-40	11	34-40	≤5.5	27	50/50	
SVD-M50×1.5-46	SVD-PG36-46	SVD-NPT1-1/2-46	SVD-G1-1/2-46	11	40-46	≤5.5	29	58/58	10PCS
SVD-M63×1.5-56	SVD-PG48-56	SVD-NPT2-56	SVD-G2-56	14	50-56	≤9	30	68/68	